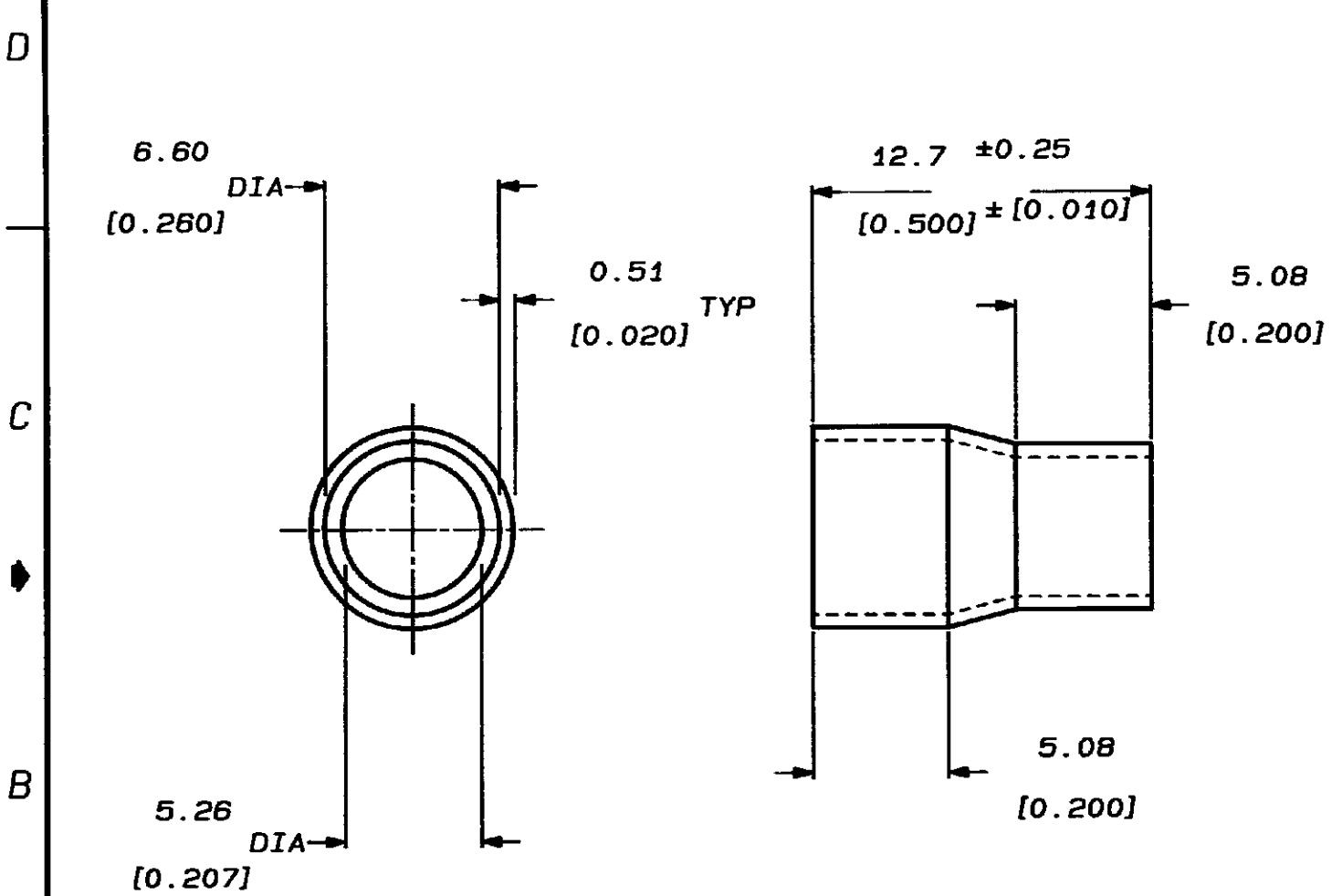


4
DRAWING MADE IN THIRD ANGLE PROJECTION
THIS DRAWING IS UNPUBLISHED. RELEASED FOR PUBLICATION .19
© COPYRIGHT 19 BY AMP INCORPORATED, HARRISBURG, PA. ALL INTERNATIONAL RIGHTS RESERVED. AMP PRODUCTS MAY BE COVERED BY U.S. AND FOREIGN PATENTS AND/OR PATENTS PENDING.

		REVISIONS				
P	F	ZONE	LTR	DESCRIPTION	DATE	APPROVED
1	✓		A	REV. PER AF0372 RELEASED PER P.A.R.	7/22/84	SS
			B	REV PER AF 4654	8/25/87	A1



- 1 DIMENSIONS IN BRACKETS ARE IN INCHES
- 2 INSULATION RANGE: 5.11-4.16 [0.201-0.164]

520433-1

PART NO

UNLESS OTHERWISE SPECIFIED DIMENSIONS ARE IN INCHES OR DECIMALS ± 0.00 IN. ANGLES ±		CONTRACT NO		AMP INCORPORATED Harrisburg, Pa.	
MATERIAL COPPER		DR <i>S. Schaffner</i> 5/2/84		NAME SDL FERRULE STYLE B (4 POSITION)	
FINISH BRIGHT TIN		CHK <i>G. Patten</i> 5/2/84		SIZE B	
		APPD <i>John D. ...</i> 7/25/84		FSCM NO 00779	
		APPD <i>C. R. ...</i> 7-26-84		DRAWING NO 520433	
		DSGN APPD		SCALE	
		OTHER APPD		SHEET	

AMP 1470-15 REV 2-81

CUSTOMER DRAWING